

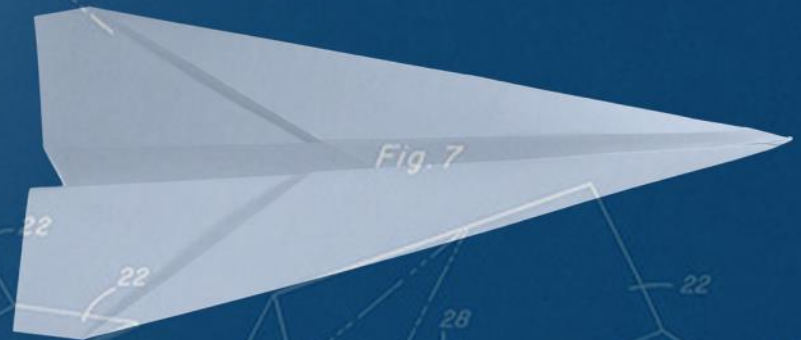
Wellspring

CONTEMPORARY WORSHIP

DREAM

BIG

MATTHEW 13:1-9



October 3, 2021
10:05 & 11:10

SharingTheHeart.org/Wellspring

Follow us on social media



@WellspringFUMC

All of us have ambitions and long to do more in this life. But we also have all kinds of distractions, misunderstandings, and assumptions blurring what we need to do to bring our dreams to life. In order to tap into our deepest passions and unleash the purpose God has for us, we must assess our understanding of who we are and how God sees us. We need to become fully awake to ourselves and to the God-given purpose for our lives. That is what **Dream Big** is all about – exploring your hopes, dreams, ambitions, and the real purpose God has implanted within you.

It is good to be with you in worship! We are a place where everyone is welcome, accepted, and encouraged to discover the fullness of life in Jesus Christ. If you are new, please feel free to ask questions, be yourself, get connected, and let us know if there is anything we can do to make your experience most memorable.

First United Methodist Church
315 N. Church St., McKinney, TX 75069 972-562-8556

Sermon: Clear the Paths

Scripture: Matthew 13:1-9

Sermon Notes

Take time this week to read over the Scripture and ask these questions to see how they might shape your life.

1. What limiting beliefs did you receive in your childhood (messages about your talent, intelligence, body, size, ethnicity, etc.)? How does this limiting belief affect you presently?
2. What's one thing you would change about yourself if you could? Why?
3. Read in the bible, Matthew 13:1-9.
4. Consider your resources (time, money, energy, things) as seeds. When have you felt like you were scattering your "seeds" in non-fruitful directions? What do you use to evaluate the fruitfulness of your seeds?
5. Where do you need to stop planting to maximize your resources in ways that actualize your dreams?
6. When have you seen your efforts explode with good things beyond what you imagined?
7. Where does God want you to plant right now?
8. Spend time in prayer.

Dream Big – Small Groups

It is not too late to join a group. We have three groups available:

- Sunday mornings – 9:00am in room C200
- Sunday mornings – 10:05am in room C205
- Sunday evenings – 5:00pm in room E215 & Online. Email kmelvin@sharingtheheart.org for Zoom link.



“Like” our Facebook page and be sure to check-in online! For every new “like” and “check-in” we receive, we will provide three meals to hungry kids!

That's right! Your simple check-in helps spread the word about Wellspring and feeds kids. This is a simple click of the button that can have a big impact. Scan the QR code with your smart phone camera to be taken to our Facebook page.

WHAT'S HAPPENING

WELCOME, CJ!

Today is new Youth Minister CJ Rice's first Sunday! She will be at The Hub this morning and tonight getting to know our wonderful youth group. We're excited to have her! You can reach out to her at cjrice@sharingtheheart.org.

BLESSING OF THE ANIMALS

Join us 10/10 at 4:30 in the parking lot as we bless our pets! Bring your bunnies, cats, dogs, iguanas...even stuffed animals! We will also have pet bandanas with the church logo for sale so your pet can match your church shirt!

NEW ONLINE DEVOTIONALS

Each week on Tuesday morning, see a short devotion from our pastors as they share what is making their fall fresh! Videos can be found on our Facebook page or the church website. Share with your friends during our Fresh Start Fall!

PARENTS NIGHT OUT

Friday, October 8th from 6-9:30 for kids ages 3 years through 5th grade. You can find more info and the sign up link on the Children's Ministry page. Fun night for kids and parents!

TRUNK OR TREAT

Join us for the First Annual Trunk or Treat from 5-7 pm on 10/24 for this church-wide and community-wide event! Decorate your trunk, dress up, and make some children smile! You may also donate bags of candy to the cause! Share this event with friends, family, neighbors, and on social media! It is sure to be a spooky, fun event. There will be prizes, so start planning your costume and theme! Sign up your trunk on our *New + Upcoming* page on the website.

HEALTH & SAFETY

We are still encouraging people to wear masks, maintain distance, and get vaccinated if possible. Online worship and classes are available if you feel ill and need to stay home.

ONLINE RESOURCES

- Attendance
- Giving
- Prayer Request
- Newsletter
- Join the church



Scan with your phone camera ↑

NEW WIFI Network: FUMC Guest

Password: sharingtheheart

GENEROSITY

DID YOU KNOW?

Today's Communion Rail Offering will go toward construction costs for the Panama mission trip. The Team departs Oct. 16-24. Thank you for your generosity.

CONVENIENT WAYS TO GIVE



Online Giving
Text **FIRSTUMC** to **73256**
Offering Boxes at Exits
Automatic Payments
Automatic Withdrawals

SharingTheHeart.org/Give

Please Sign In
We're glad you are here!

100321

ATTENDANCE CARD Please complete, tear off, and place in the box at the exit. Thank you!

Service attended: 8:00 9:00 10:05 11:10 | Location: Sanctuary Wellspring First Time Guest Returning Guest Member

Name _____ Today's Date _____
Email _____ Phone _____
Phone _____ cell home cell home

Children Attending (names & ages) _____ City/St _____ Zip _____
Address _____
 Update my info Send weekly email newsletter | Preferred Contact: Email Phone | Adult age group: 18-24 25-34 35-44 45-54 55-64 65+
Welcome to our guests! How did you hear about us? _____ Guest/Relative of _____ Relationship _____ (over)

Your Name _____ Today's Date _____

Prayers requested for (name) _____

This person is: self friend relative other _____

Prayer need (include info as needed) _____

Pastors only | Add to published prayer list | Would you like a pastor to contact you? Yes No

I would like information about: Name _____

Nursery

Children's Ministry

Youth Ministry

Adult groups

Music Ministry

Melissa UMC campus

Other _____

Becoming a member

Generosity / Stewardship

Faith, being a Christian

Bible Study

Help with personal issues

Finding a place to serve _____ (over)

PRAYER REQUESTS

PRAYER REQUESTS Please remember these names in your prayers

- † Greg Bullmer and Family on the loss of his older Brother, Mike Bullmer
 - † Omar Alvarez and Family on the loss of his Grandmother, Maria Alvarez
 - Amy Via
 - Braxton Pinero
 - Dana Brown
 - Delilah Sanderson
 - Don Childs
 - Don White
 - Dorothy Whitfield
 - Ed Mapes
 - Fred Wilkins
 - Garrel Dean
 - Gary and Peggy Rima
 - Jackie Zarate
 - Jackie Lynn
 - Jay Harris
 - Jennifer
 - Jenny
 - Juanita
 - Judy Cox
 - Justin Melvin
 - Marti Kale
 - The Browns Family
 - Tina Cristino
 - Thomas R. Storey
 - Rev. David & Cindy Ceballos, Missionaries in Panama
 - Friends in care facilities
 - Everyone affected by the Coronavirus and Variants
 - Families experiencing job loss
 - Church families in transition
 - Those experiencing homelessness
 - Grace Children's Hospital in Haiti
 - Melissa United Methodist Church
 - Caldwell Elementary School
 - Military service members including: Capt Scott Adler, Capt Libby Adler, Sofia Lerma Alarcon, Jose Almaguer, 1st Lt Joe Beeby, Marc Belo, CPL Matthew Broker, CT12 Abigail Burns, CPT Aaron Bush, CPL Bradley Bush, AFC Drew Causey, Rev. Dr. Capt Adam Cavalier, 2nd Lt Vincent Chavez, Capt Ryan Clark, PFC Paul Confalone, Sgt Martin Damian DeLeon, GY Sgt Jim Ellsworth, Kevin English, Patrick English, James Evans, Lt Col David Faulk, MSG Brian Franck, PFC Cody Furstenberg, Charlie Gilbert, LC CPL Robert Gray, ETN2 Cory Halberstadt, Pvt John Wesley Holder Jr., LT Mark Jbeily, Lt Col Jim Johnston, Ryan Kidd, Avery Montana Krast, Lt Ryan Lubin, Alec Mack, Capt John Martin, Lt Logan McQuerry, Maj. Richard Milam, Maj Chuck Miller, AFC Kevin G. Persons, Jr., MSGT, SFC Tyler Renshaw, 2nd Lt Austin Rine, SPC Blake Robertson, Bobby Sanders, SR4 Nick Schofield, Colby Seamster II, Chap MAJ Tim Shepherd, Jonathan Spiegel, CW2 Ryan Thurgood, Mark Townson, Specialist Zach Vernier
- Please submit updates and new prayer requests to www.sharingtheheart.org/pray Thank you.

STAY CONNECTED

For the latest news and events, subscribe to the weekly church newsletter, "The Echo," online at SharingTheHeart.org/Newsletter

SOCIAL MEDIA

Engage with us on social media for up to date information and deeper connections.



Facebook.com/FUMCMcKinney
 Instagram.com/FUMCMcKinney
 Twitter.com/FUMCMcKinney



CONTACT INFORMATION

- Senior Pastor**, Dr. Thomas O. Brumett
 tbrumett@sharingtheheart.org
- Wellspring**, Dr. Abe Smith
 asmith@Sharingtheheart.org
- Children's Director**, Cheridy Dodd
 cdodd@sharingtheheart.org
- Youth Director**, CJ Rice
 cjrice@sharingtheheart.org
- Preschool Director**, Jane Mills
 jmills@sharingtheheart.org
- Connections**, Rev. Patty Froehlich
 pfroehlich@sharingtheheart.org
- Pastoral Care**, Dr. Ed Volfe
 edvolfe@sharingtheheart.org
- Missions**, Rev. Janet Cavalier
 jcavalier@sharingtheheart.org
- Wellspring Worship Leader**, Rev. Kris Melvin, kmelvin@sharingtheheart.org
- Spiritual Formation**, Dr. James Woods
 jwoods@sharingtheheart.org
- Christlike Mindfulness**, Dr. Andrew Clifford
 aclifford@sharingtheheart.org
- Director of Music & Organist**
 John Emory Bush, jebconductor@gmail.com
- Melissa Church**, Rev. Stacey Piyakhun
 stacey@melissaumc.com